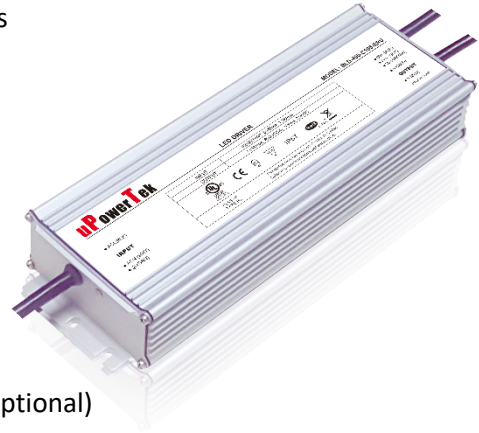


400W, 100-277Vac Input, NFC Programmable Constant Voltage LED Driver

■ Features

- Supply Voltage: 90-305Vac or 127-420Vdc, 380Vac for 2 hours
- Great Surge Immunity 10kV
- Airset™ NFC Programmability
- PWM Output Frequency >1kHz
- 100,000Hour Life @ Tc=75°C
- 7 Year Warranty @ Tc<=75°C
- 0-10V/PWM/DALI /Push (Switch) /DMX (RDM) Dimmable
- 2% Minimum Dimming Output
- Dim Off with 0.5W Standby
- 12V 300mA Auxiliary Power to Power Controllers and Fans (Optional)
- UL Class P, ENEC/CB/CCC SELV Output
- Safety according to EN 61347-1, 61347-2-3
61347-2-13, 62384



■ Application

- Strip lights, Landscape lights, Bay lights, Street lights, Flood lights

■ Model List

Model Number	Input Voltage Range	Output Power	Output Voltage	Output Current Min	Output Current Max	Certification
BLD-400-V012-XYZ	90 ~ 305 Vac	400 W	12V	0	33.3A	UL/FCC/CB/ENEC/CCC
BLD-400-V024-XYZ	90 ~ 305 Vac	400 W	24V	0	16.7A	UL/FCC/CB/ENEC/CCC
BLD-400-V048-XYZ	90 ~ 305 Vac	400 W	48V	0	8.3A	UL/FCC/CB/ENEC/CCC

XY=	Dimming Method	Programmable	12Vaux	Dim-off	Programming Range
NN	-	-	-	-	
TR	Timing	√	-	-	100%-115%Vo
DN	0-10V	-	-	<1.5W	
EN	0-10V	-	√	<0.5W	
ER	0-10V	√	√	<0.5W	100%-115%Vo
AN	DALI	-	-	<1.5W	
MR	DMX	Set Address	-	<1.5W	

Z = U, UL cable with ground wire S, VDE cable/Class I D, VDE cable/Class II

Note: Dimmable Drivers Do NOT Support Switching DCDC Regulator as Load

400W, 100-277Vac Input, NFC Programmable Constant Voltage LED Driver
■ Technical Data

Input Voltage	90~305Vac or 127V-420Vdc, 380Vac for 2 hours
Input Frequency	47~63Hz
Power Factor	>0.9@60-100%load, refer to PF vs. Load curve
THD	<15%@60-100%load, refer to THD vs. Load curve
Input Current	3.6Amax@120Vac & Full-Load, 2.0Amax@220Vac & Full-Load
Inrush Current	65A peak, 1.2ms duration, <0.25A2s@230Vac, Cold Start 70A peak, 1.3ms duration, <0.5A2s@277Vac, Cold Start
Leakage Current	1mA max @277Vac 60Hz, UL8750,0.75mAmax @220Vac 50Hz, IEC61347-1
Input Under Voltage	Shut down and auto-restart
Input Over Voltage	*Optional: Shutdown @320Vac
Surge Protection	Line to line 6kV, line to ground 10kV, IEC 61000-4-5
Voltage Accuracy	±3%Vo
Setup Time	1.2s max.
Output Overshoot	10% Vo, max.
Output Over Current	120% Io, typ.
Short Circuit	Auto recovery. The output recovers when short is removed.
Over Temperature	Turn off the output when $T_c \geq 105 \pm 10^\circ\text{C}$; Auto Recovery When $T_c \leq 70 \pm 10^\circ\text{C}$
Operating Temperature	Case Temperature $T_c = -40^\circ\text{C} \sim +90^\circ\text{C}$; 10%RH~100%RH
Storage Temperature	-40°C~+85°C; 5%RH~100%RH
MTBF	≥280,000 hours, 75°C case temperature (MIL-HDBK-217F)
Lifetime	≥100,000 hours, 75°C case temperature, refer to life vs. Tc curve
Case Temperature	90°C max, marked in the Tc point of label
Dimensions	8.82x3.54x1.63 by inch (body), 9.88x3.54x1.63 by inch (endcaps included)
24V 48V Model	224 x 90 x 41.5 by mm (body), 251 x 90 x 41.5 by mm (endcaps included)
Dimensions 12V Model	9.44x3.54x1.63 by inch (body), 10.51x3.54x1.63 by inch (endcaps included)
	240 x 90 x 41.5 by mm (body), 267 x 90 x 41.5 by mm (endcaps included)
Net Weight	1600g
Packing	12pcs/Carton/21.3kg, 490 x 370 x 345 by mm

Notes: Unless specified, all the test results are measured in 25°C room temperature.

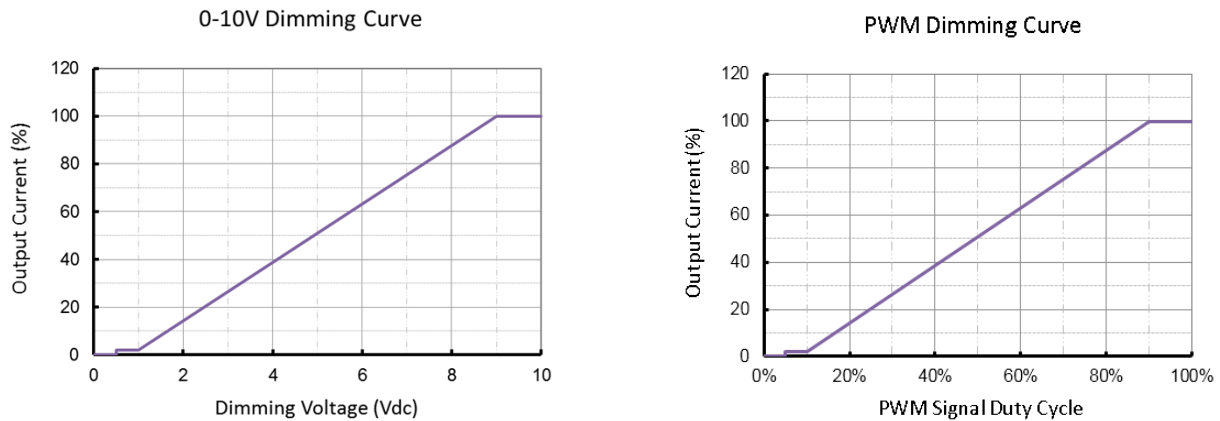
■ Dimming

Parameter	Min.	Typ.	Max.
Vdim Sourcing Current	200uA	300uA	450uA
Vdim Allowed Input Voltage	-20 V		20 V
0-10V Dimming Range	2% (Vdim=1V)	Linear	100% (Vdim=9~10V)
PWM Dimming Range	2% (Duty=10%)	Linear	100% (Duty=90-100%)
Dim off threshold	0.4V or 4%	0.5V or 5%	0.6V or 6%
Dim on threshold	0.6V or 6%	0.7V or 7%	0.8V or 8%
PWM High	3.8V		10V

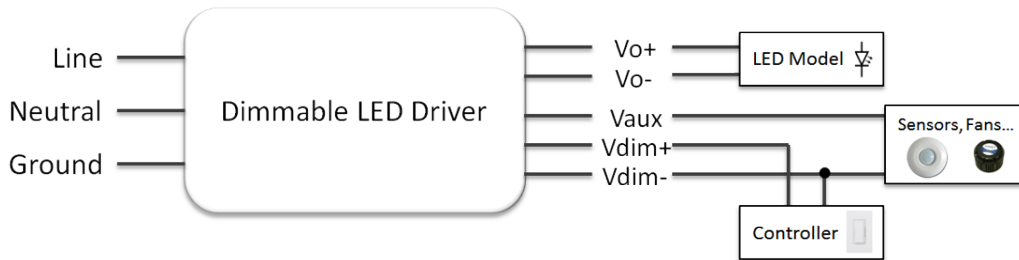
400W, 100-277Vac Input, NFC Programmable Constant Voltage LED Driver

PWM Low	0V	0.6V
PWM Frequency	300Hz	2kHz
External PWM Controller Current Sinking Capability	300uA	
DALI Interface Standard	IEC62386	
DA1,DA2 High Level	9.5	22.5
DA1,DA2 Low Level	-6.5	6.5
DA1,DA2 Current	0	2mA

Dimming Curve



Dimming Wiring



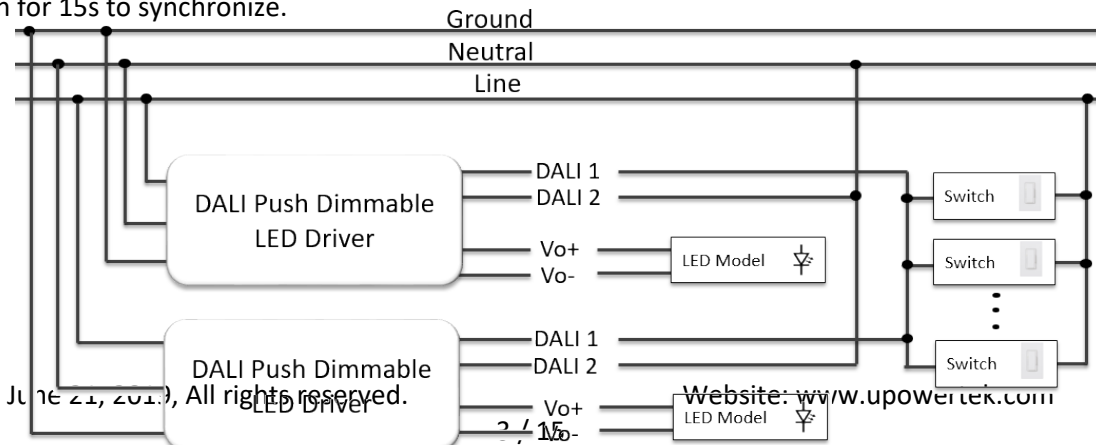
Push (Switch) Dim

A short press (50-600 ms) switches the device on or off

A long press (> 600 ms) fades the connected operating device alternately up and down (between 2 and 100%).

Up and down slew rate is 20%/s.

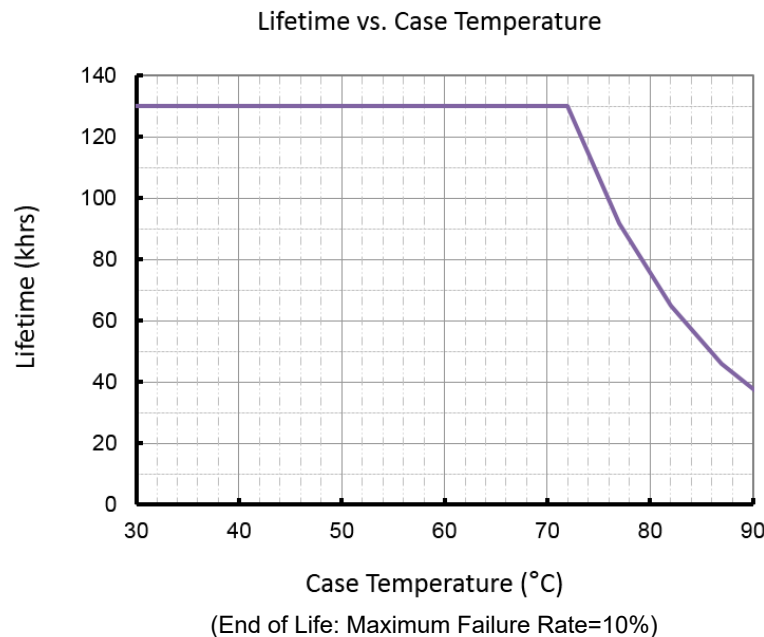
Long push for 15s to synchronize.



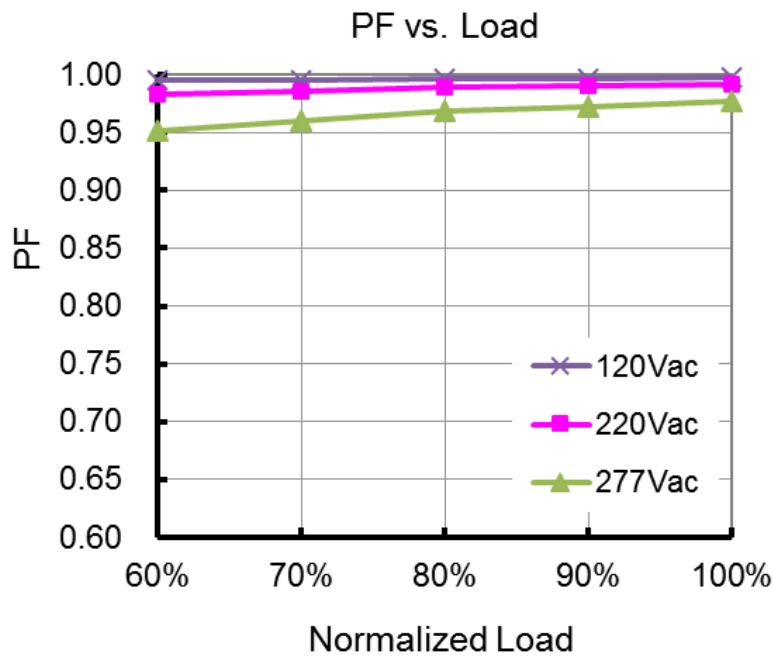
■ **Safety/EMC Compliance**

Safety Standard	Description
UL8750	Light emitting diode(LED) equipment for use in lighting products
UL1012	Power units other than class 2
IEC 61347-1	Lamp control gear Part 1: general and safety requirements
IEC 61347-2-13	Lamp control gear Part 2-13: particular requirement for d.c. or a.c. supplied electronic control gear for LED modules
EMI Standards	Description
IEC 55015	Conducted emission test & radiated emission test
IEC 61000-3-2	Harmonic current emissions; Class C
IEC 61000-3-3	Voltage fluctuations & flicker
FCC Part 15	ANSI C63.4:2009 Class B
EMS Standards	Description
IEC 61000-4-2	Electrostatic discharge (ESD): 8 kV air discharge, 4 kV contact discharge
IEC 61000-4-3	Radio frequency electromagnetic field susceptibility test (RS)
IEC 61000-4-4	Electrical fast transient (EFT)
IEC 61000-4-5	Surge immunity test
IEC 61000-4-6	Conducted radio frequency disturbances test (CS)
IEC 61000-4-8	Power frequency magnetic field test
IEC 61000-4-11	Voltage dips
IEC 61547	Electromagnetic immunity requirements applies to lighting equipment

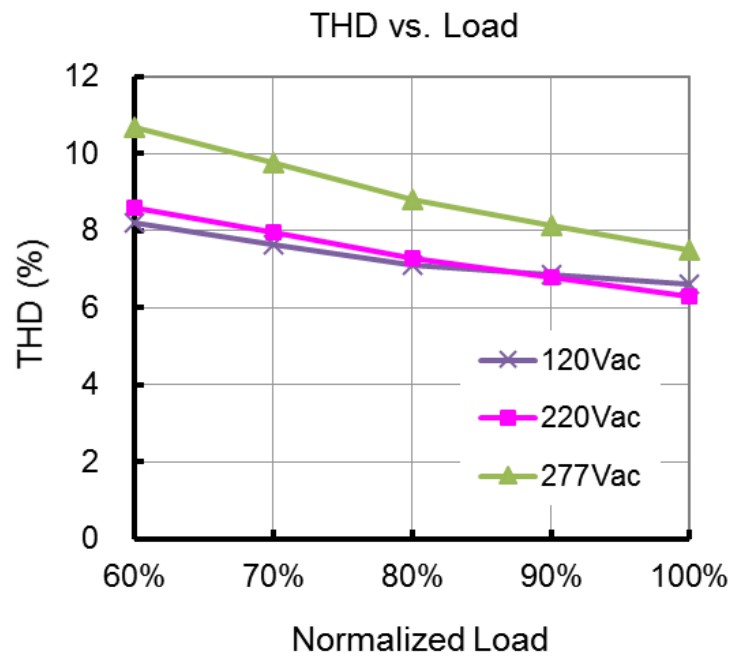
■ **Lifetime vs. Case Temperature**



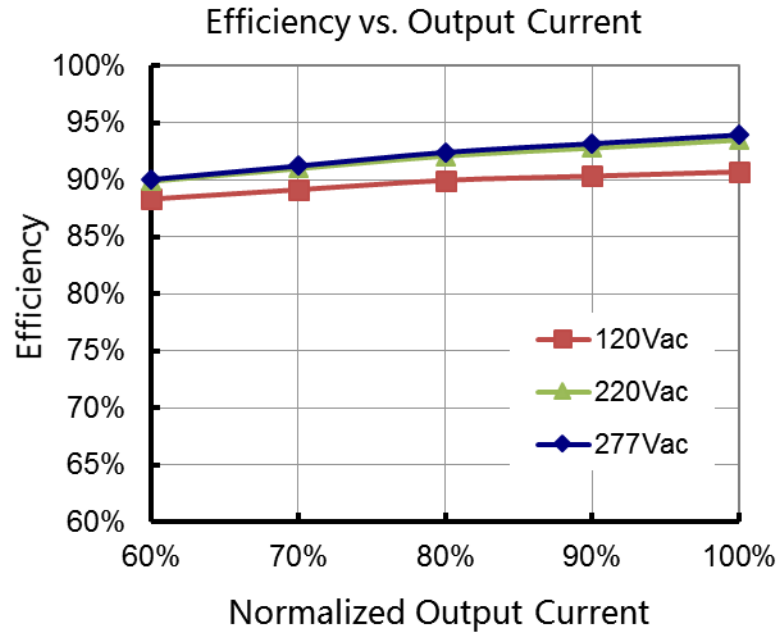
■ Power Factor vs. Load



■ THD vs. Load

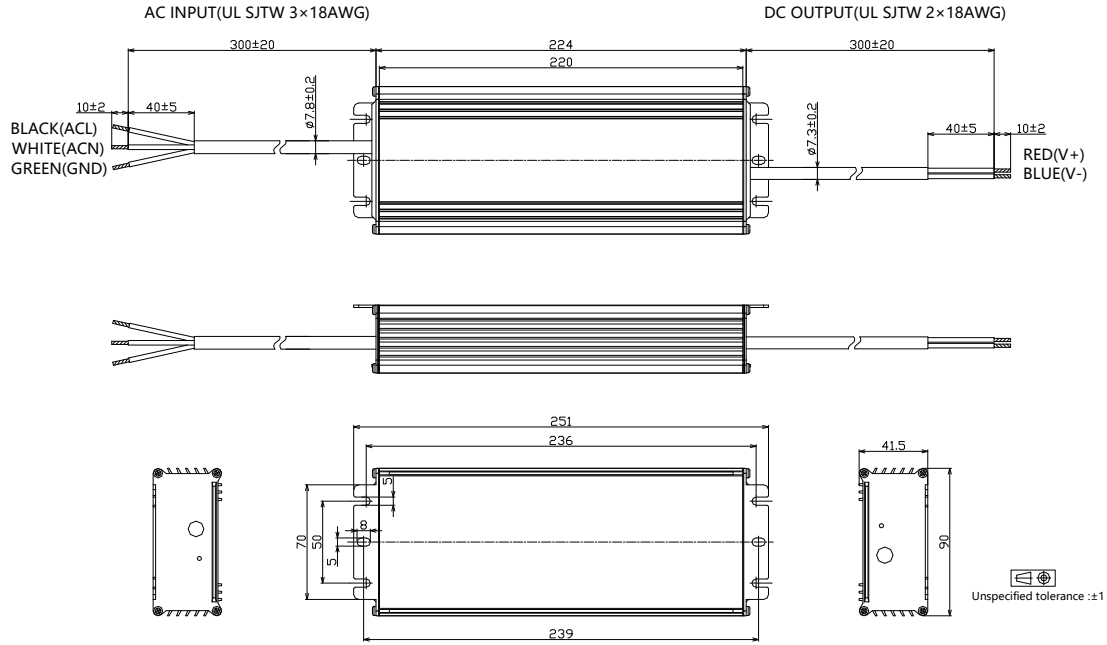


■ Efficiency vs. Load (24V Model)

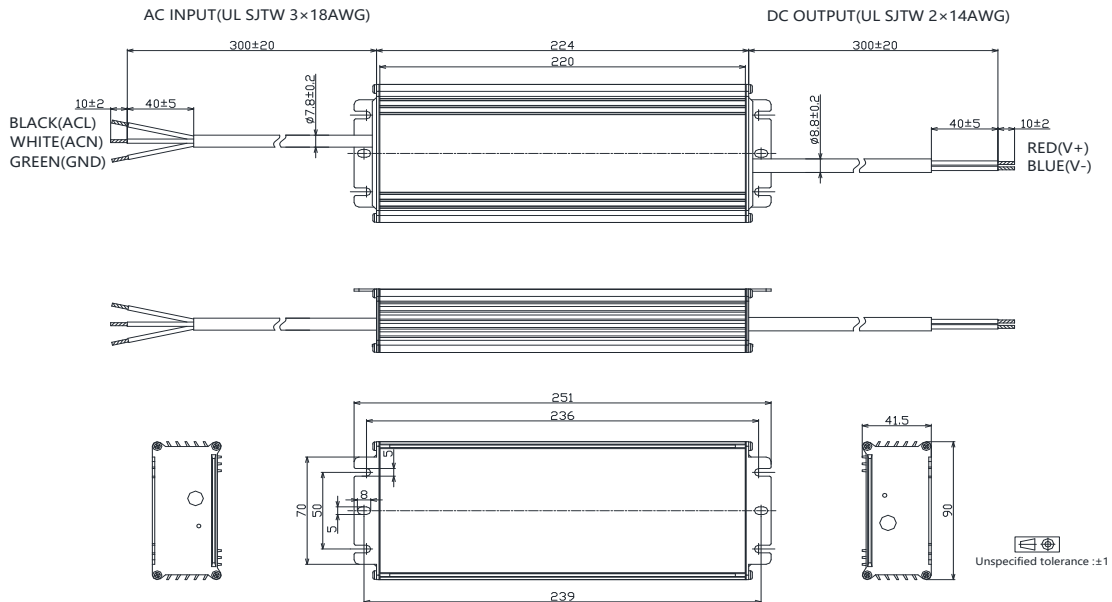


■ **Mechanical Design**

- **BLD-400-Vxxx-NNU (UL Cable) 48V model**

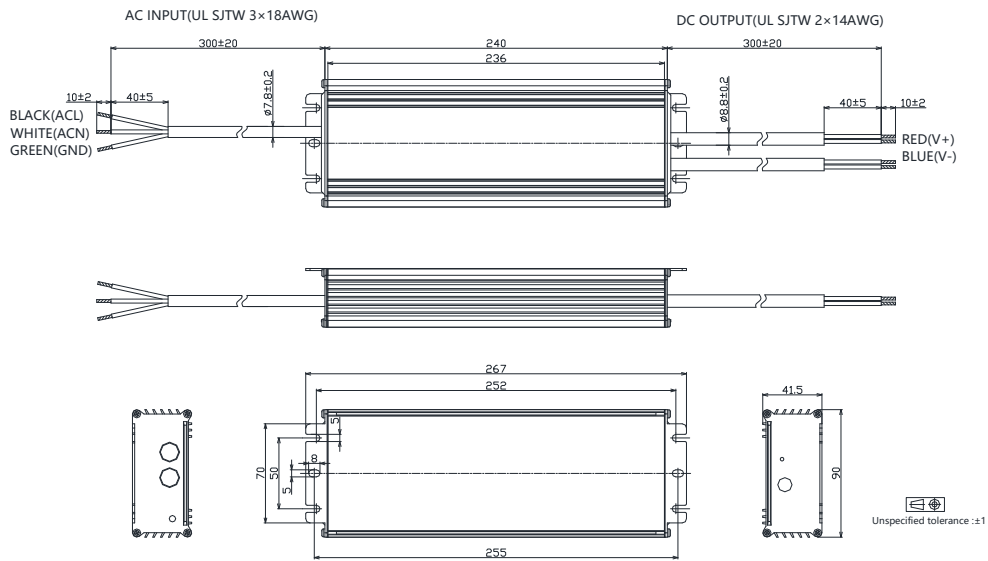


- **BLD-400-Vxxx-NNU (UL Cable) 24V model**

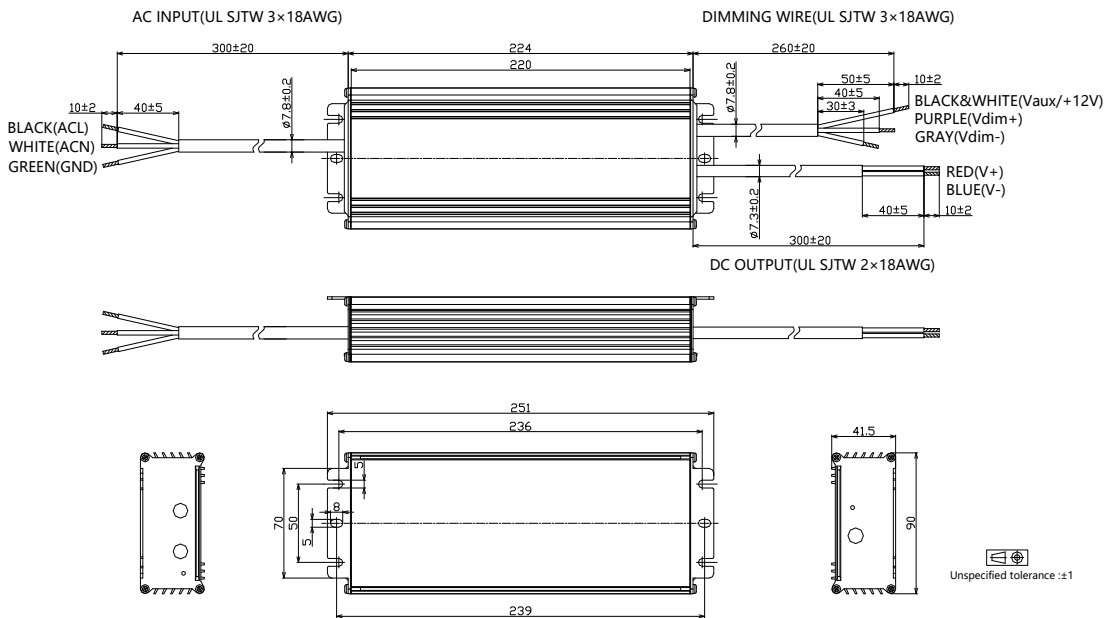


400W, 100-277Vac Input, NFC Programmable Constant Voltage LED Driver

- BLD-400-Vxxx-NNU (UL Cable) 12V model

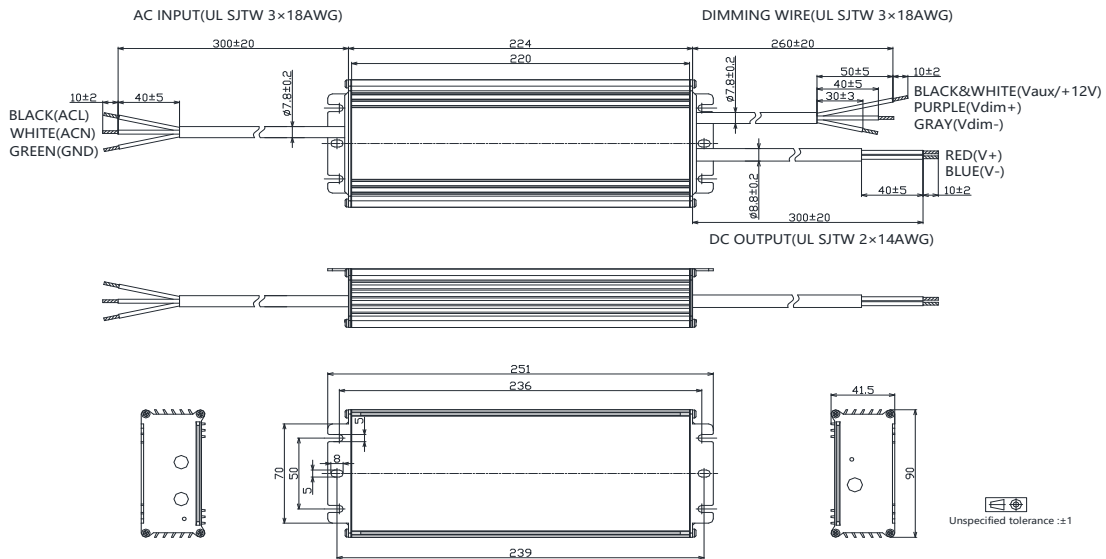


- BLD-400-Vxxx-ENU (UL Cable) 48V model

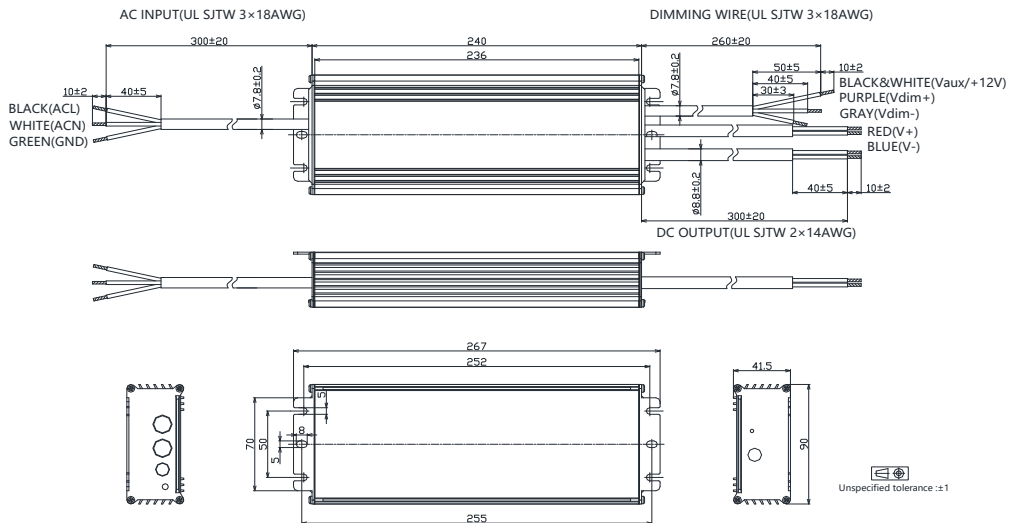


400W, 100-277Vac Input, NFC Programmable Constant Voltage LED Driver

- BLD-400-Vxxx-ENU (UL Cable) 24V model

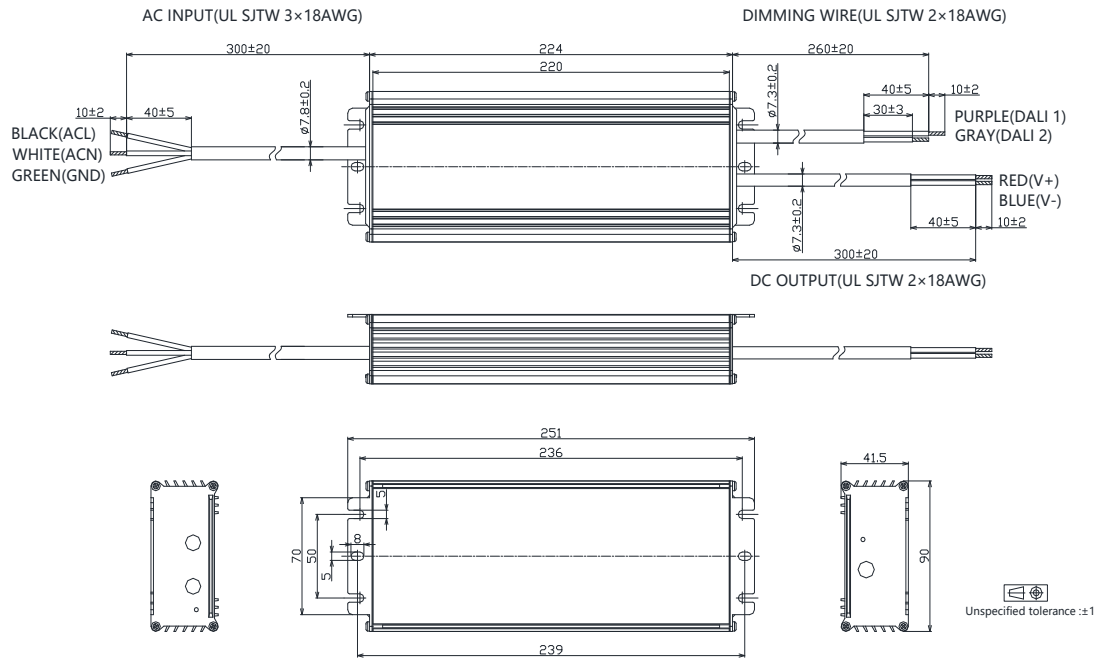


- BLD-400-Vxxx-ENU (UL Cable) 12V model

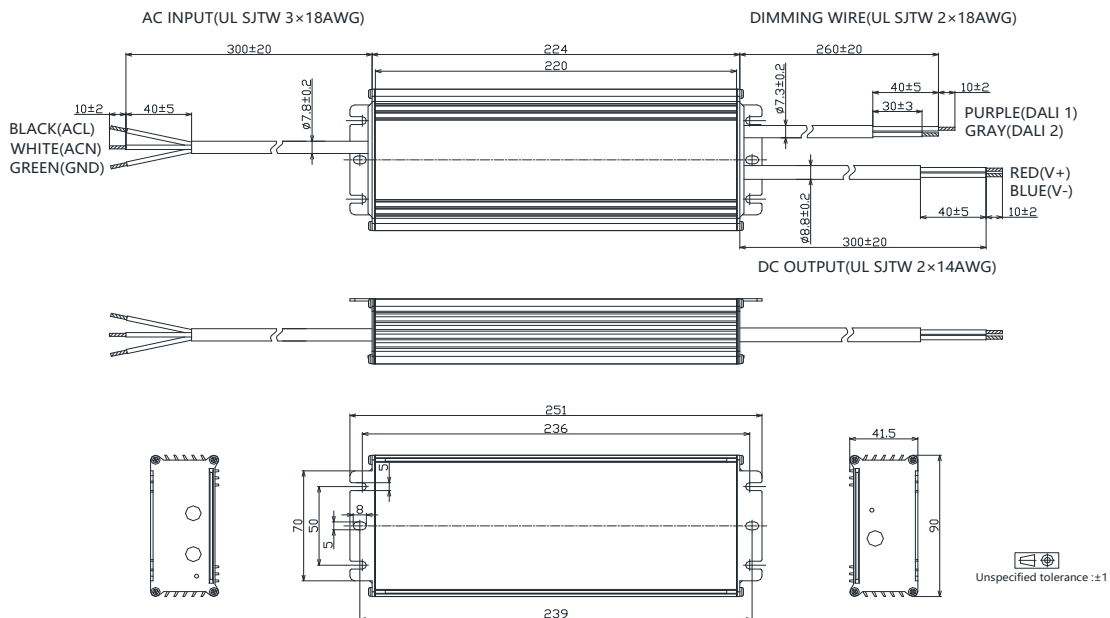


400W, 100-277Vac Input, NFC Programmable Constant Voltage LED Driver

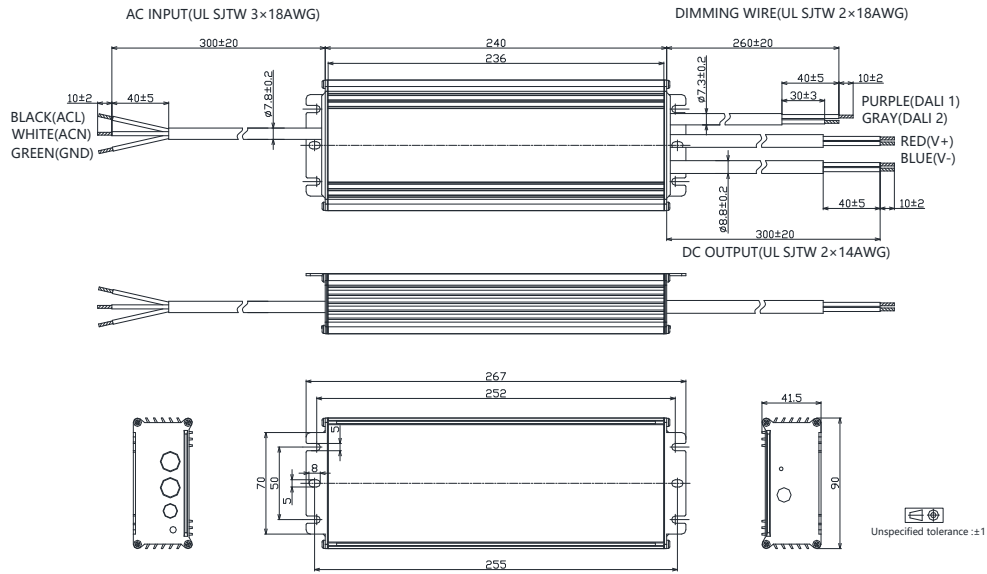
- BLD-400-Vxxx-ANU (UL Cable) 48V model



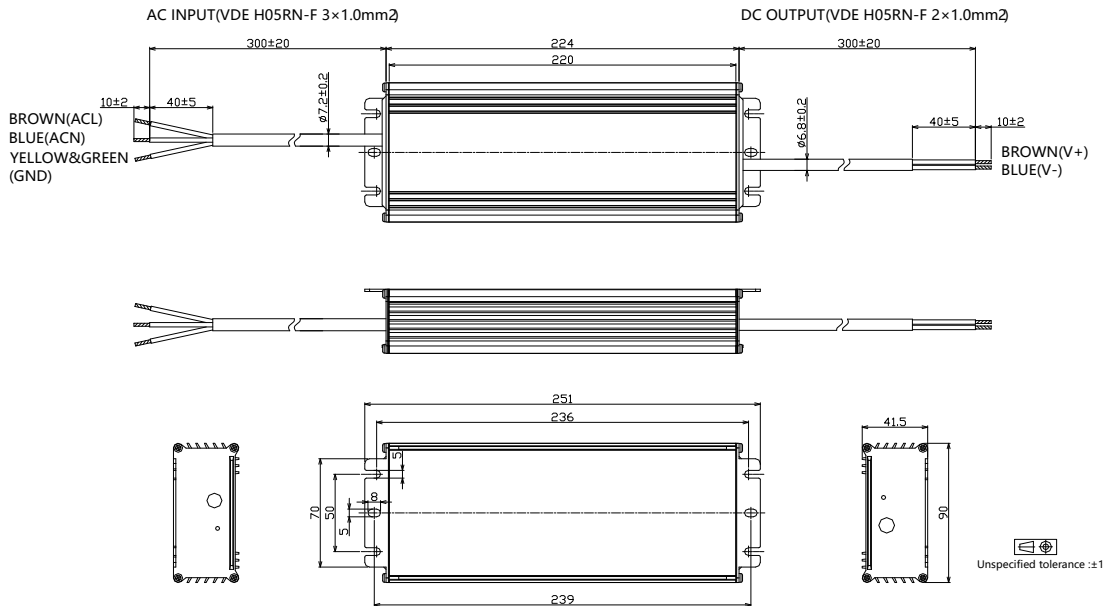
- BLD-400-Vxxx-ANU (UL Cable) 24V model



- BLD-400-Vxxx-ANU (UL Cable) 12V model

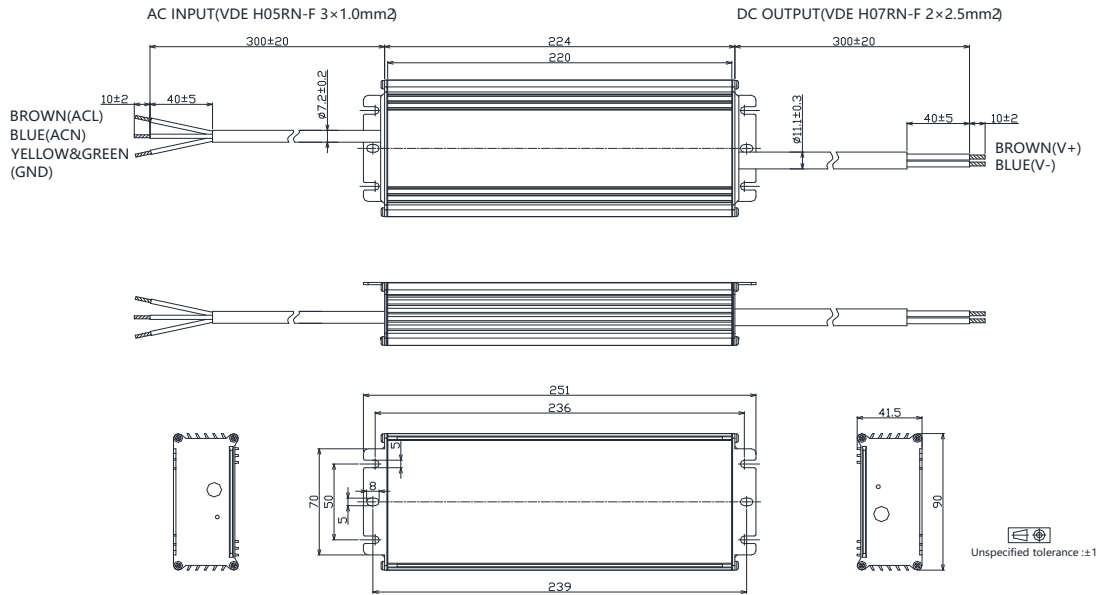


- BLD-400-Vxxx-NNS (VDE Cable) 48V model

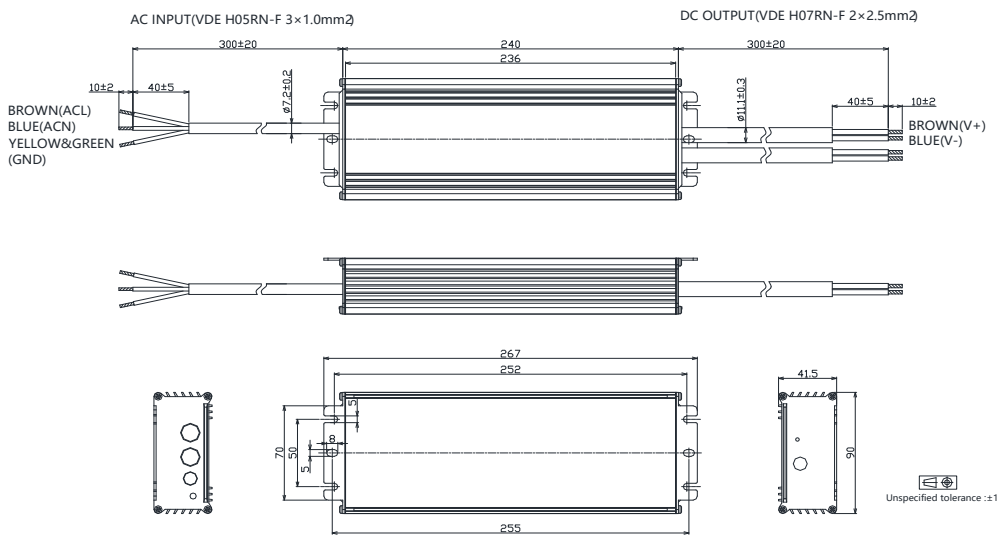


400W, 100-277Vac Input, NFC Programmable Constant Voltage LED Driver

- BLD-400-Vxxx-NNS (VDE Cable) 24V model

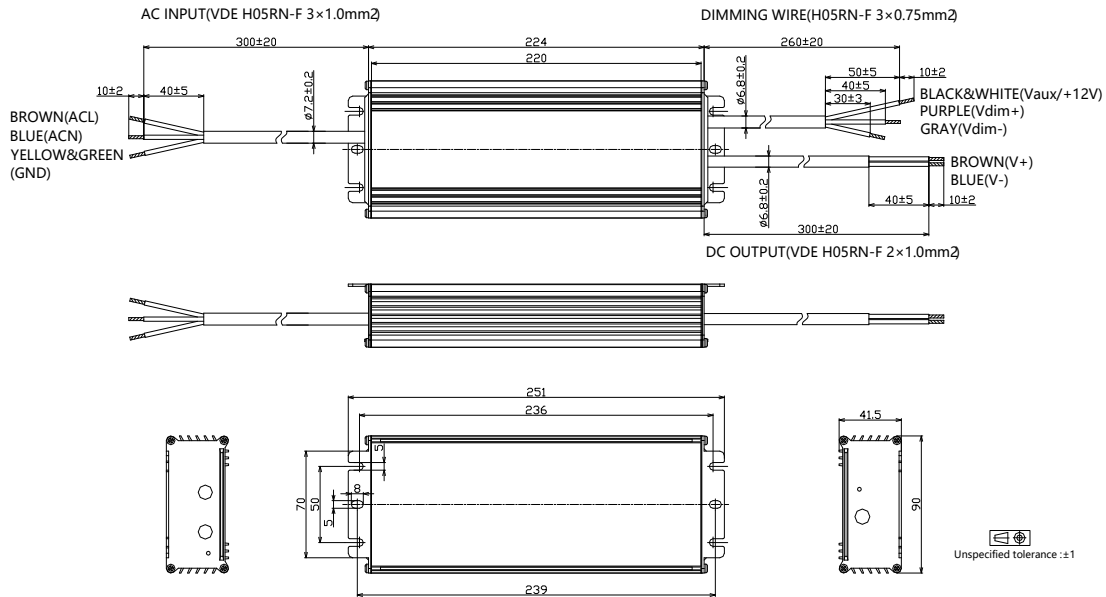


- BLD-400-Vxxx-NNS (VDE Cable) 12V model

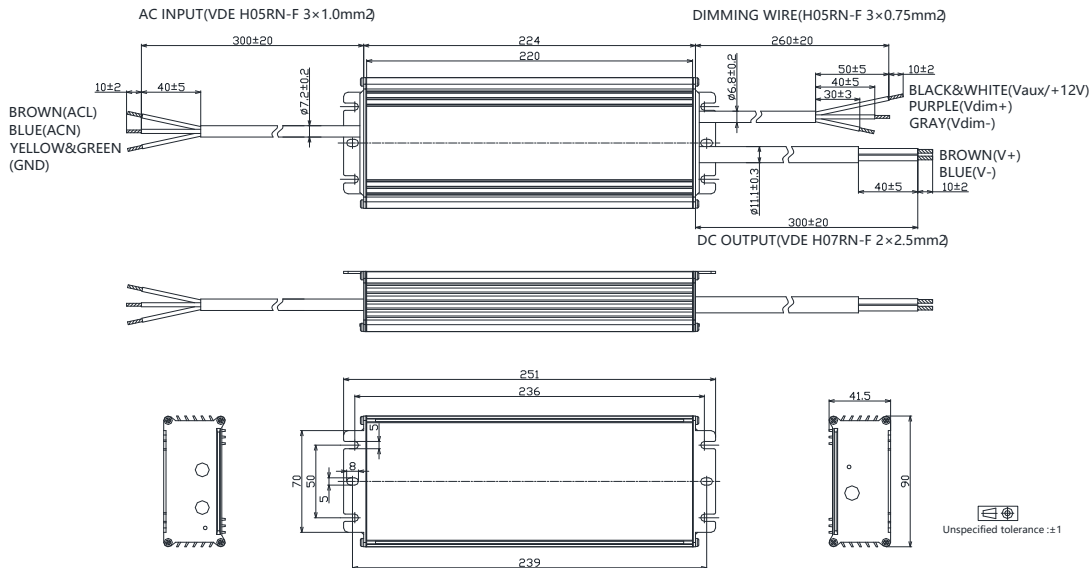


400W, 100-277Vac Input, NFC Programmable Constant Voltage LED Driver

- BLD-400-Vxxx-ENS (VDE Cable) 48V

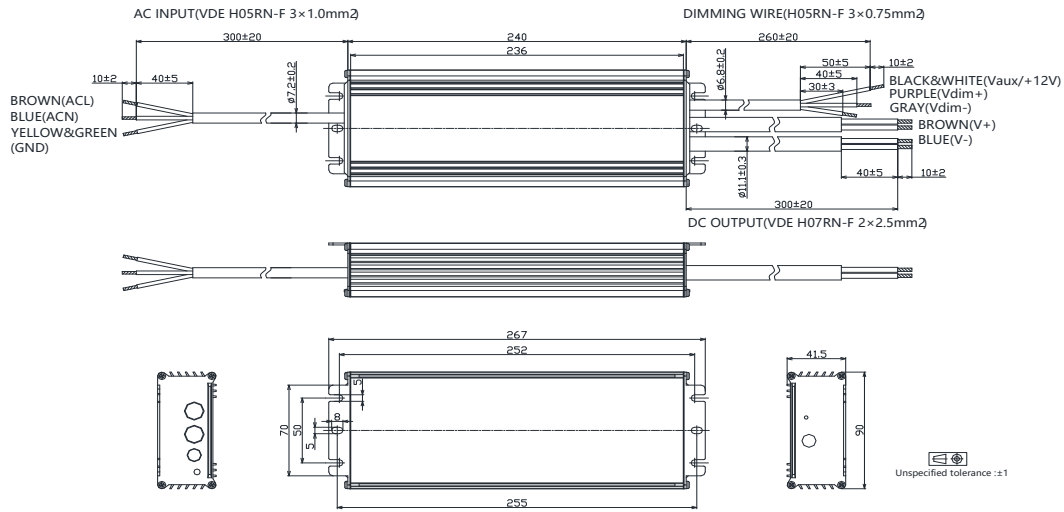


- BLD-400-Vxxx-ENS (VDE Cable) 24V model

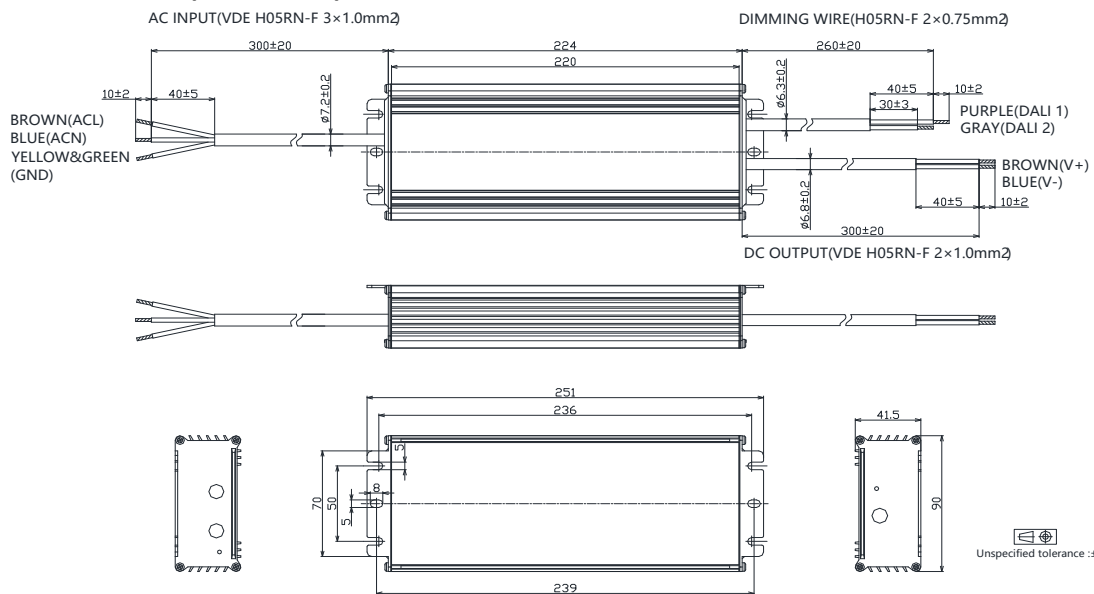


400W, 100-277Vac Input, NFC Programmable Constant Voltage LED Driver

- BLD-400-Vxxx-ENS (VDE Cable) 12V model

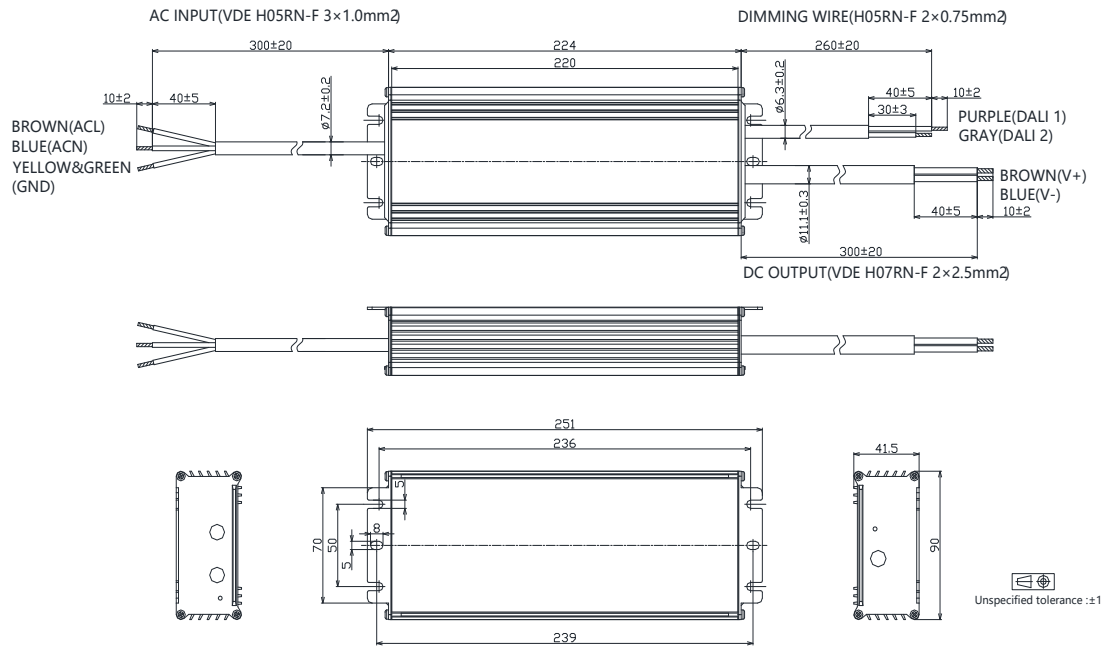


- BLD-400-Vxxx-ANS (VDE Cable) 48V model



400W, 100-277Vac Input, NFC Programmable Constant Voltage LED Driver

- BLD-400-Vxxx-ANS (VDE Cable) 24V model



- BLD-400-Vxxx-ANS (VDE Cable) 12V model

